

Screw pumps – PA series – axial inlet flange

For hydraulic oils, lubricating oils

Admissible delivery pressure (continuous) = 50 bar at 2900 rpm

ISO 3019/2 motor connection



Main field of application:

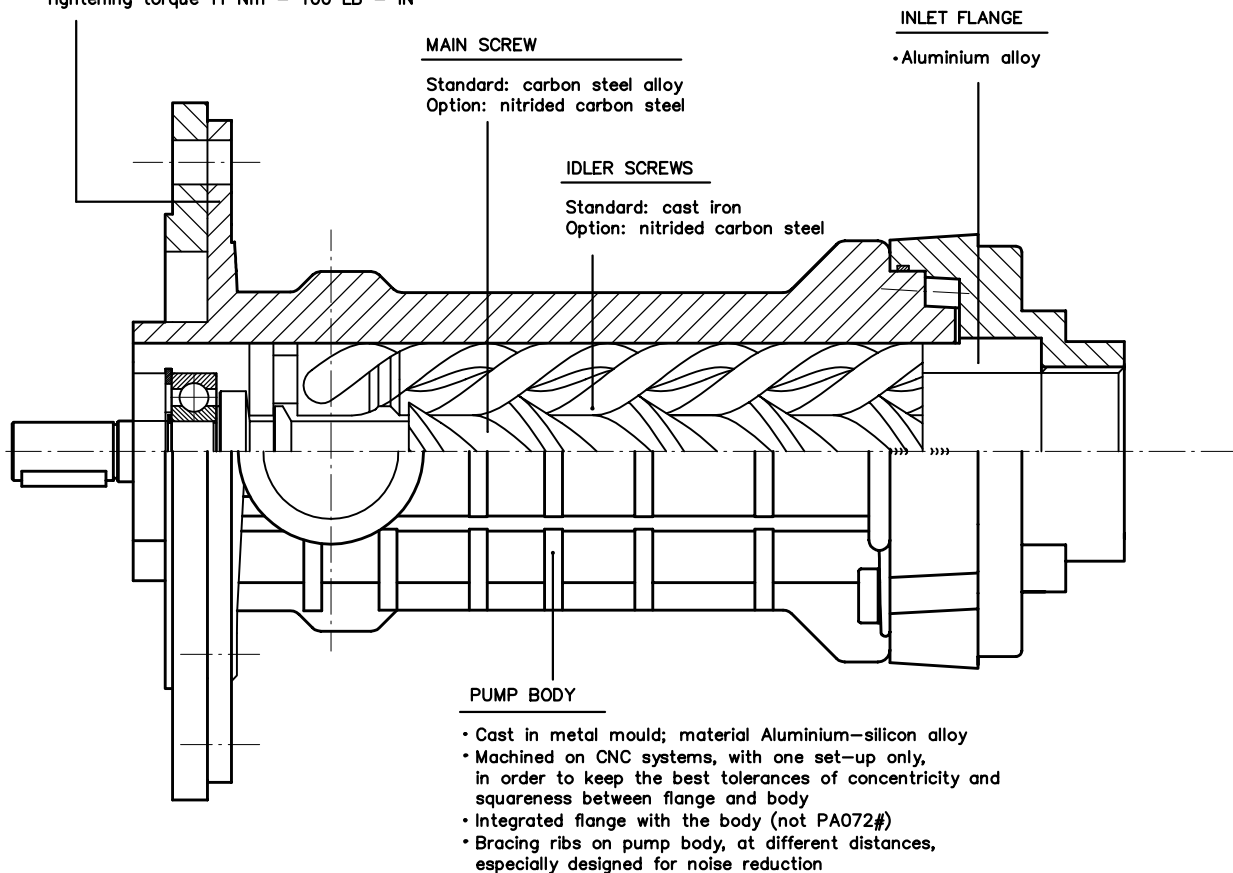
Submersible pump for lubrication systems, auxiliary filtration systems, cooling systems



Section and components

CONNECTION TO ELECTRIC MOTOR

Tightening torque 11 Nm – 100 LB – IN



Functional characteristics standard version

Delivery flow	10 to 850 l/min (2,6 to 224 USGPM)
Admissible delivery pressure*	up to 50 bar (725,2 psi) continuous, 75 bar (1088 psi) peak at 2900 rpm
Admissible suction pressure	-0,4 to 2 bar (-5,8 to 29 psi) For different values contact SEIM
Kinematics viscosity	10 to 400 cSt For different values contact SEIM
Admissible temperature	0 to 100 °C (32 to 212 °F) For different values contact SEIM
Driving speed	750 to 3600 rpm
Average noise level	56 ÷ 68 dB(A) at 2900 rpm according to pump dimension
Recommended filtration	60 micron max, suction side (not abrasive contaminant) ISO4406 19 / 16 – NAS 10
Direction of rotation	clockwise, as seen from the driving side

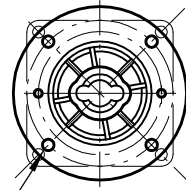
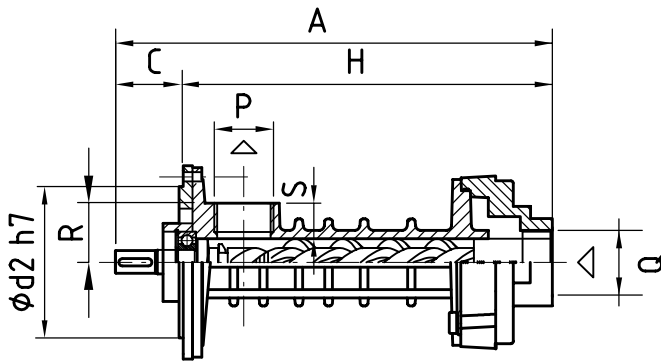
* Reduced pressure limits apply due to fluid viscosity and driving speed
Consult the performance charts for the individual pump size
For different functional characteristics, please contact our sales department

Screw pumps – PA series – axial inlet flange

For hydraulic oils, lubricating oils

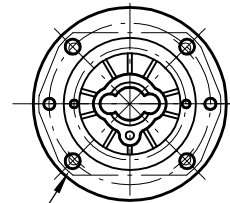
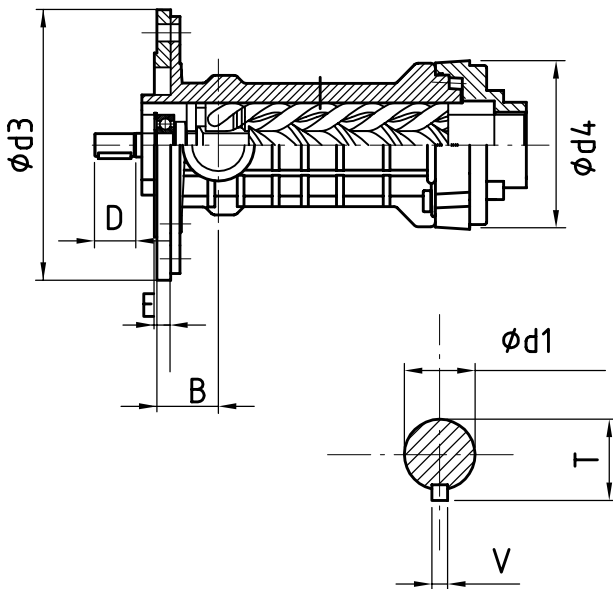
Admissible delivery pressure (continuous) = 50 bar at 2900 rpm

ISO 3019/2 motor connection



4 Holes DIA $\phi 14$
on $d160$ BCD

PA025#
PA029#
PA032#
PA040#
PA045#



4 Holes DIA $\phi 18$
on $d200$ BCD

PA055#
PA060#
PA072#

ZA - STE - PAT - GB 09-02 - 1

Dimensional chart (mm)

SIZE	A	B	C	D	E	H	P GAS	Q GAS	R	S	T	V	d1	d2	d3	d4
PA025#6.0T	318	68	42	35	22	276	1"	1 1/4"	44	24	21,5	6	19	125	188	81
PA029#6.0T	318	68	42	35	22	276	1"	1 1/4"	44	24	21,5	6	19			81
PA032#4.0T	318	68	42	35	22	276	1"	1 1/4"	44	24	21,5	6	19			81
PA040#4.0T	372	68	42	35	22	330	1"	2"	50	24	21,5	6	19			149
PA045#4.0T	378	68	48	40	22	330	1 1/2"	2"	50	27	27	8	24			149
PA055#4.0T	470	86	63	55	22	407	1 1/2"	3"	60	28	35	10	32	160	234	190
PA060#4.0T	514	86	63	57	22	451	2"	3"	60	30	35	10	32			190
PA072#4.0T	600	112	63	63	22	537	2"	4"	72	30	41	10	38			250

SEIM srl
Via A. Volta 17
20090 Cusago (MI) ITALY
Tel. (+39) 02.90.39.21.1
Fax (+39) 02.90.39.21.41
e-mail: seim@seim.it

www.seim.it

SEIM reserve the right to introduce dimensional changes or variation to the products of this technical data