

Screw pumps – PA series with strainer



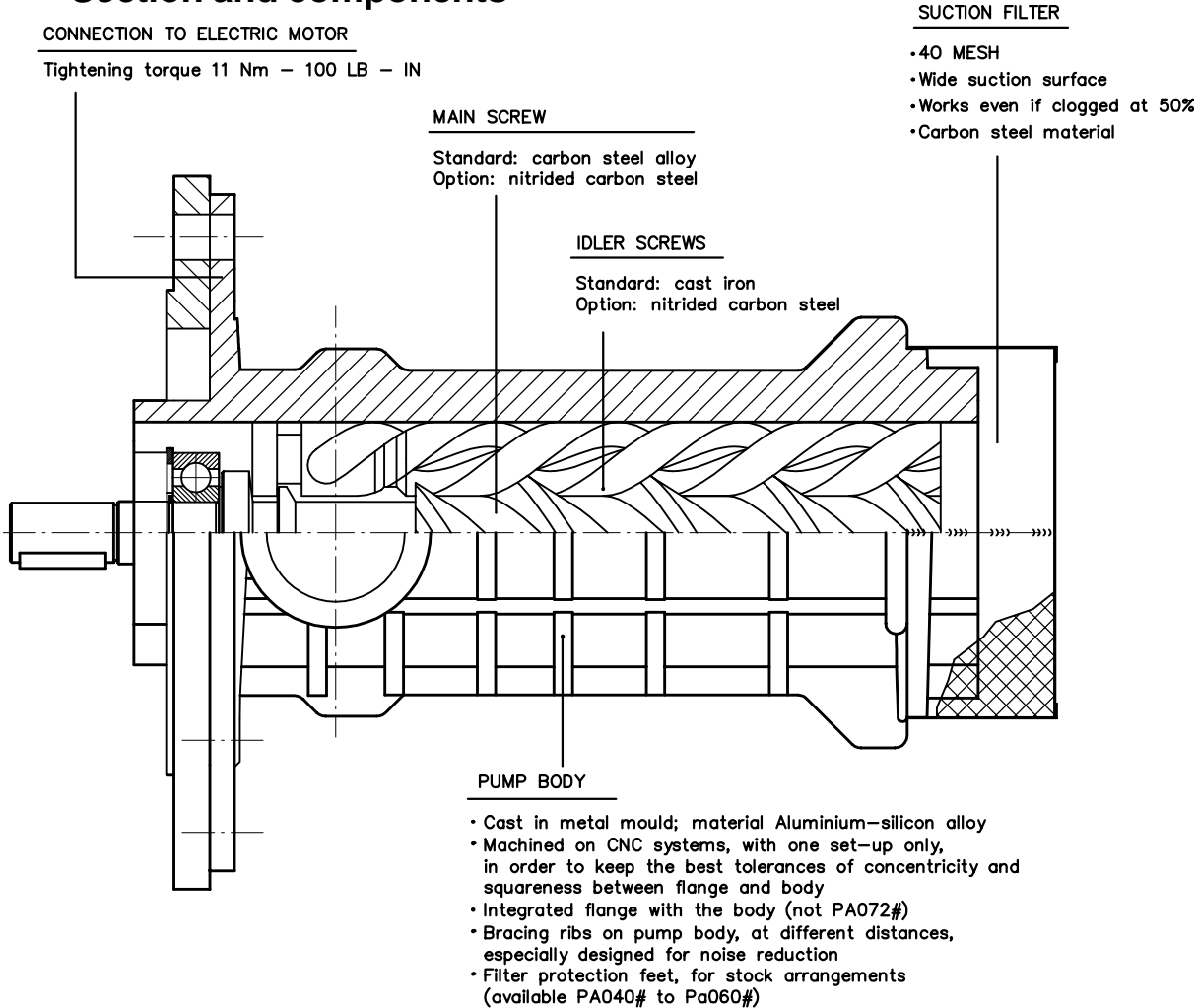
For hydraulic oils, lubricating oils
 Admissible delivery pressure (continuous) = 50 bar at 2900 rpm
 ISO 3019/2 motor connection

Main field of application:

Pump submersible into tank for lubrication systems, auxiliary filtration system, cooling system



Section and components



Functional characteristics standard version

Delivery flow	10 to 850 l/min (2,6 to 224 USGPM)
Admissible delivery pressure*	up to 50 bar (725,2 psi) continuous, 75 bar (1088 psi) peak at 2900 rpm
Admissible suction pressure	submerged in oil
Kinematics viscosity	10 to 400 cSt For different values contact SEIM
Admissible temperature	0 to 100 °C (32 to 212 °F) For different values contact SEIM
Driving speed	750 to 3600 rpm
Average noise level	58 ÷ 68 dB(A) at 2900 rpm according to pump dimension
Racommended filtration	60 micron max, suction side (not abrasive contaminant) ISO4406 19 / 16 - NAS 10
Direction of rotation	clockwise, as seen from the driving side

* Reduced pressure limits apply due to fluid viscosity and driving speed
 Consult the performance charts for the individual pump size

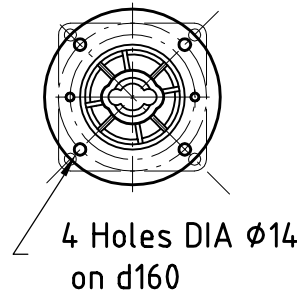
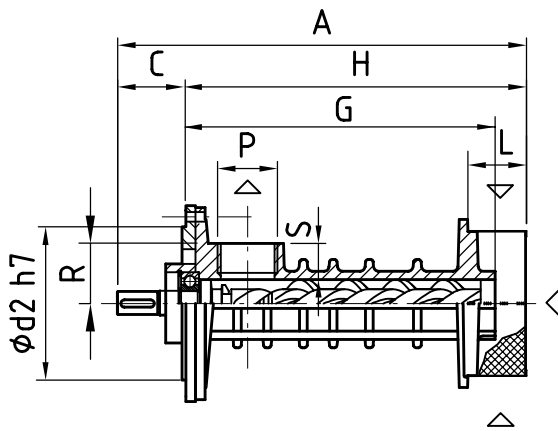
For different functional characteristics, please contact our sales department

Screw pumps – PA series with strainer

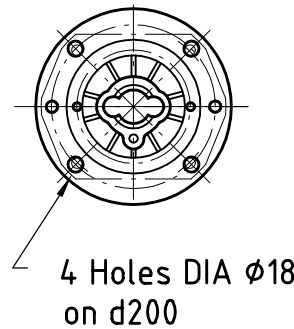
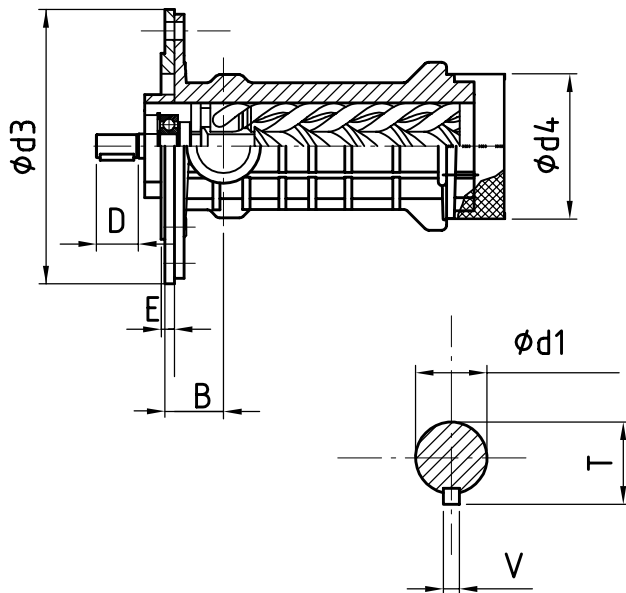
For hydraulic oils, lubricating oils

Admissible delivery pressure (continuous) = 50 bar at 2900 rpm

ISO 3019/2 motor connection



PA025#
PA029#
PA032#
PA040#
PA045#



PA055#
PA060#
PA072#

ZA - STE - PA 0M - GB 05-02 - 1

Dimensional chart (mm)

SIZE	A	B	C	D	E	G	H	L	P GAS	R	S	T	V	d1	d2	d3	d4
PA025#6.0M	299	68	42	35	22	229	256	30	1"	44	24	21,5	6	19	125	188	83
PA029#6.0M	299	68	42	35	22	229	256	30	1"	44	24	21,5	6	19			83
PA032#4.0M	299	68	42	35	22	229	256	30	1"	44	24	21,5	6	19			83
PA040#4.0M	342	68	42	35	22	272	299	50	1"	50	24	21,5	6	19			123
PA045#4.0M	363	68	48	40	22	297	314	65	1½"	50	20	27	8	24	123		
PA055#4.0M	425	86	63	55	22	337	358	50	1½"	60	28	35	10	32	160	234	162
PA060#4.0M	464	86	63	57	22	390	401	50	2"	60	28	35	10	32			162
PA072#4.0M	563	112	63	63	22	452	500	130	2"	72	30	41	10	38			190

SEIM srl
Via A. Volta 17
20090 Cusago (MI) ITALY
Tel. (+39) 02.90.39.21.1
Fax (+39) 02.90.39.21.41
e-mail: seim@seim.it

www.seim.it

SEIM reserves the right to introduce dimensional changes or variation to the products of this technical data